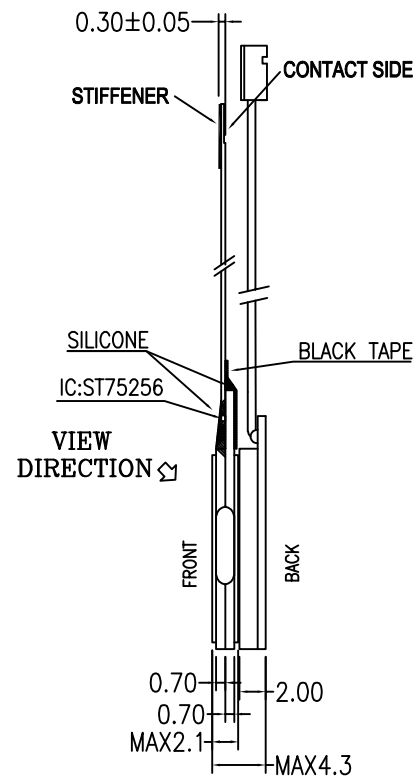
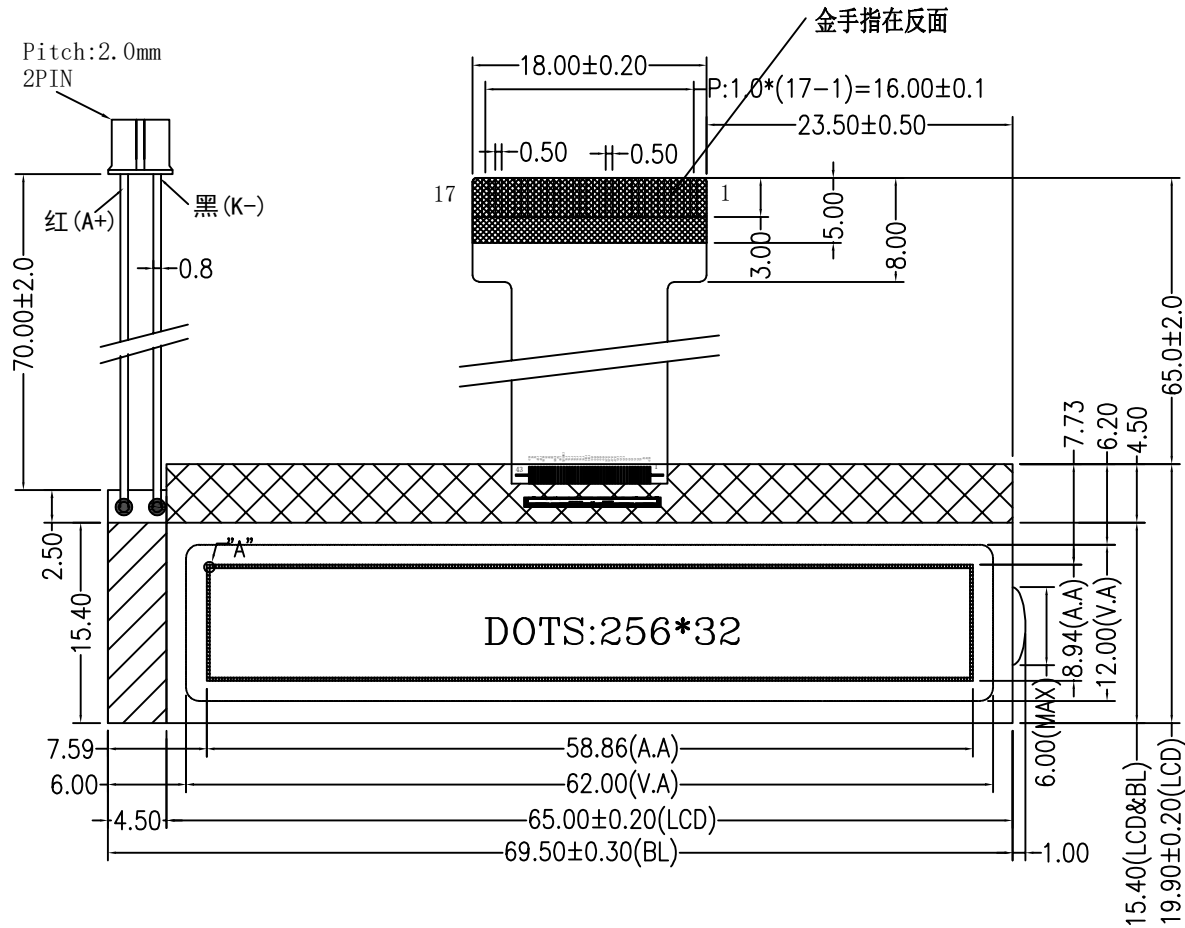


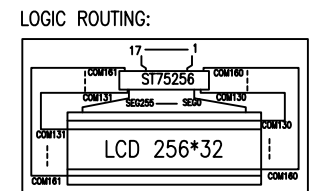
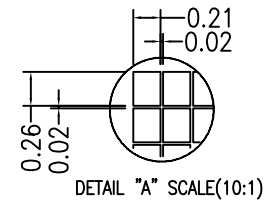
Signature: \_\_\_\_\_

Date: \_\_\_\_\_

REV.	DESCRIPTION	REVISOR	DATE
A0	NEW		2018.6.28



PIN	SYMBOL
1	NC
2	VG
3	VO
4	XVO
5	VO(NC)
6	CA1P
7	CA1N
8	VDDA
9	VDDI
10	VSS
11	COMSCN
12	CSB
13	A0
14	RST
15	SCL
16	SDA
17	NC



- Note:
1. Display Modle: FSTN/POSITIVE/TRANSFLECTIVE
  2. Driving Condition: 1/162Duty, 1/12Bias; VDD=3.3V, VLCD=14.3V
  3. Viewing Direction: 12:00 o'clock
  4. Operating Temp: -20~+60°C  
Storage Temp: -30~+70°C
  5. Driver IC: ST75256
  6. Backlight: White/1 LED /VBL=3.1V IBL=15mA
  7. Dimensions with mark "( )" are referenced.
  8. Unspecified tolerance is ±0.30mm
  9. ROHS Request



# Shenzhen Radiant Electronics Limited

Unspecified Tolerance: ±0.20	UNITS: mm	DATE: 2018.6.28	MODEL NUMBER: RC25632-00		SHEET: 1 Of 1
DESIGN BY: WZQ	CHECKED BY:	APPROVED BY:	DO NOT SCALE THIS DRAWING.		DATE: 2018.6.28