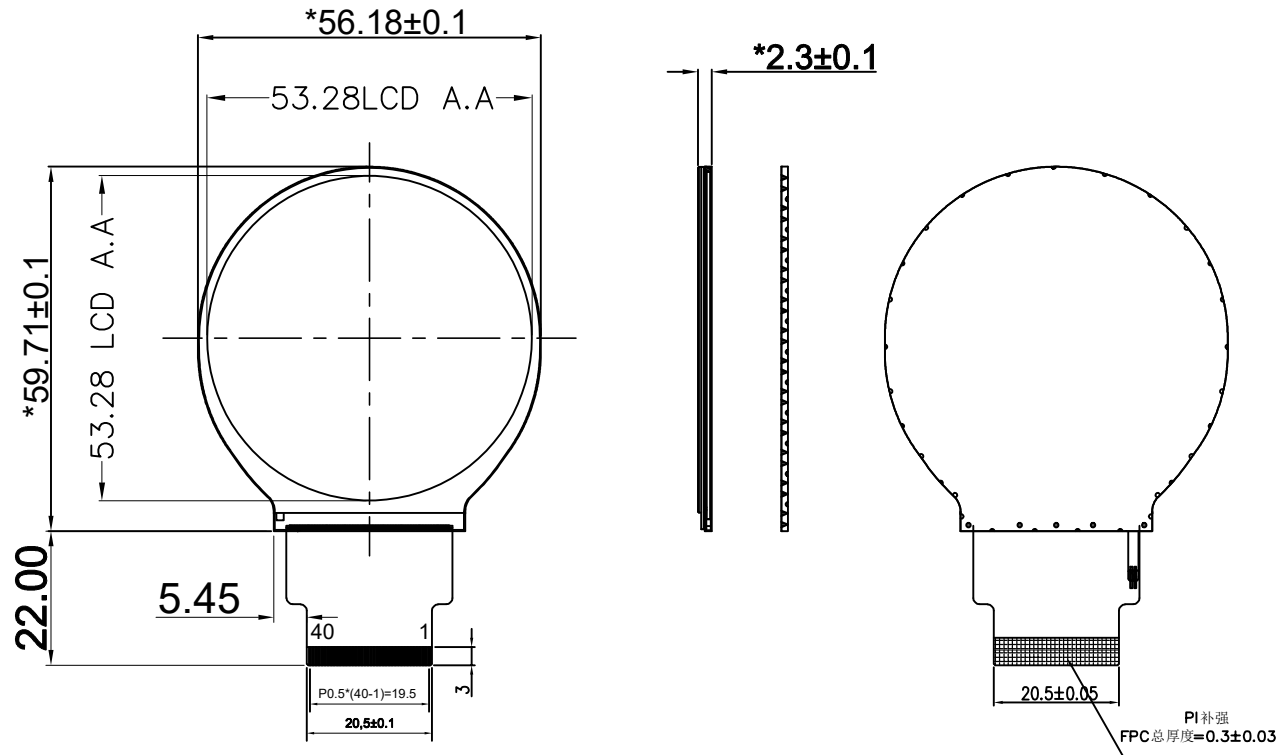
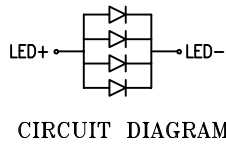


REV	DESCRIPTION	DATE
1.0	First	19.11.21



PIN	NAME	PIN	NAME
1	LEDA	21	DB5
2	LEDK	22	DB6
3	LEDK	23	DB7
4	GND	24	DB8
5	VCI/3.3V	25	DB9
6	RESET	26	DB10
7	NC	27	DB11
8	NC	28	DB12
9	SDA	29	DB13
10	SCK	30	DB14
11	CS	31	DB15
12	PCLK	32	DB16
13	DE	33	DB17
14	VSYNC	34	GND
15	HSYNC	35	TP/INT
16	DB0	36	TP/SDA
17	DB1	37	TP/SCL
18	DB2	38	TP/RST
19	DB3	39	TP/VCC
20	DB4	40	GND

Display Type	TFT/Normally white/TRANSMISSIVE
Display Resolution	DOTS: 480RGB*480
Viewing Angle	ALL'clock
LCD Driver	ST7701S
Logic Voltage	2.8V
Operation Temperature	-20°C ~ 70°C
Storage Temperature	-30°C ~ 80°C
Backlight Spec.	White LED (4dies in series) I=80mA V=3.2V
CTP Driver	



View: (视角)		深圳伟利登电子有限公司 Shenzhen Radiant Electronics Limited
Page: (页数)	1 OF 1	
UNIT: (单位)	mm	
DESIGN: (设计)	Jobin	PCHY MODEL No. (我司型号): RT021VGR101
CHECKED: (检查)		CUSTOMER'S CODE (客户型号):
APPROVED: (核准)		