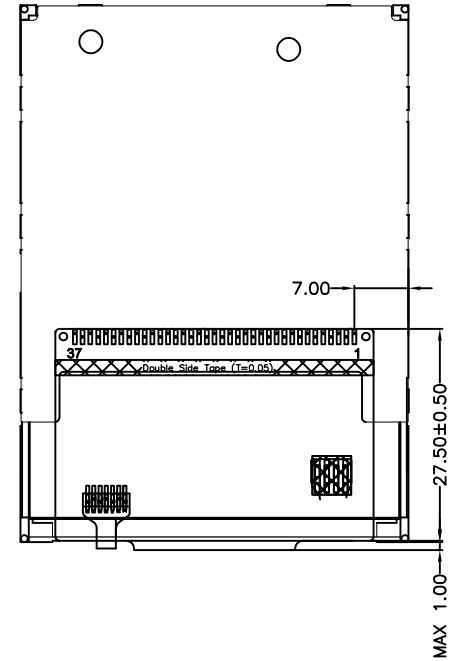
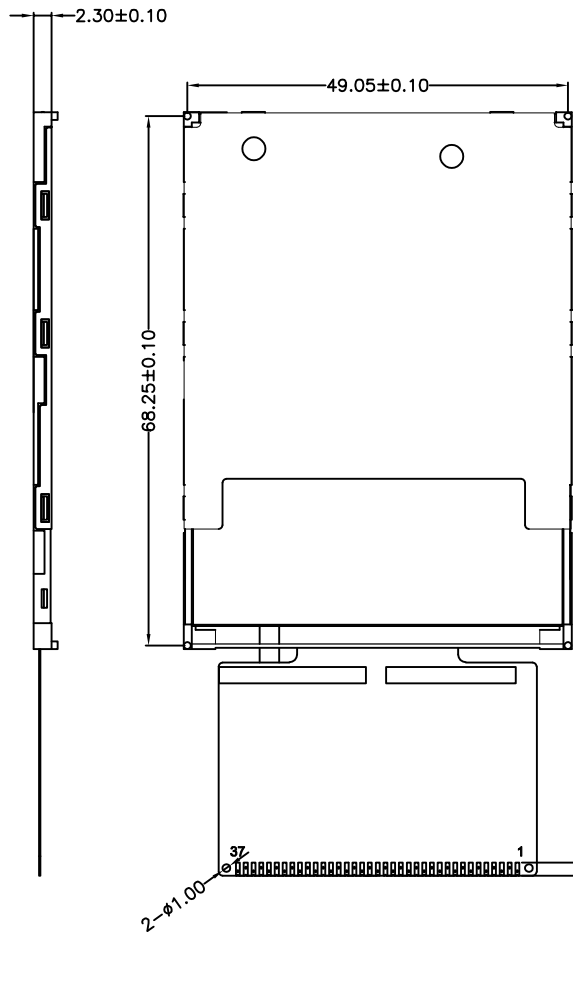
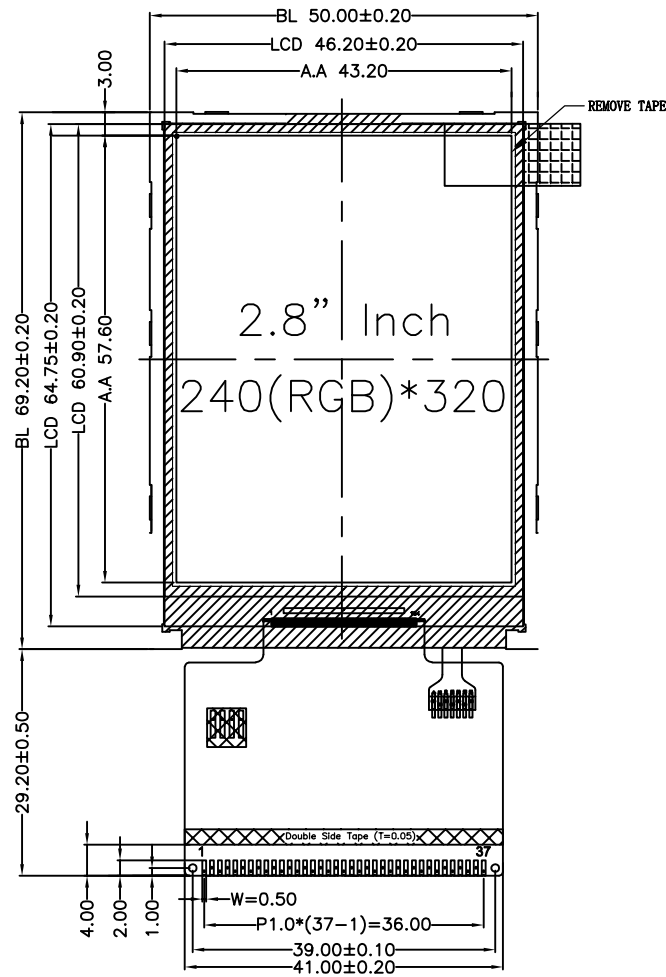
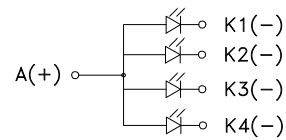


REV	DESCRIPTION	DATE
1.0	First	2018.04.03
2.0		



PIN	NAME	PIN	NAME
1	DB0	19	LEDK
2	DB1	20	LEDK
3	DB2	21	NC
4	DB3	22	DB4
5	GND	23	DB8
6	IOVCC	24	DB9
7	CS	25	DB10
8	RS	26	DB11
9	WR	27	DB12
10	RD	28	DB13
11	NC	29	DB14
12	XL	30	DB15
13	YU	31	RST
14	XR	32	VCI
15	YD	33	VCI
16	LEDA	34	GND
17	LEDK	35	DB5
18	LEDK	36	DB6
		37	DB7

1. DISPLAY TYPE: 2.8" QVGA TFT-LCD
2. Viewing Angle : 12 0'clock
3. LCD Driver : ST7789V
4. OPERATING TEMP: -20° C~70° C
5. STORAGE TEMP: -30° C~80° C
6. BACK LIGHT Uniformity:75%(Min) VF:3.3V(Typ) IF:80mA(Fix)
7. Module Brightness: Module:300cd/m(Typ)
8. GENERAL TOLERANCE: ±0.5



CIRCUIT DIAGRAM

View: (视角)	
Page: (页数)	1 OF 1
UNIT: (单位)	mm
DESIGN: (设计)	Jobin
CHECKED: (检查)	
APPROVED: (核准)	

深圳伟利登电子有限公司
Shenzhen Radiant Electronics Limited

MODEL No. (产品型号): RT028TQVP137

CUSTOMER'S CODE (客户型号):