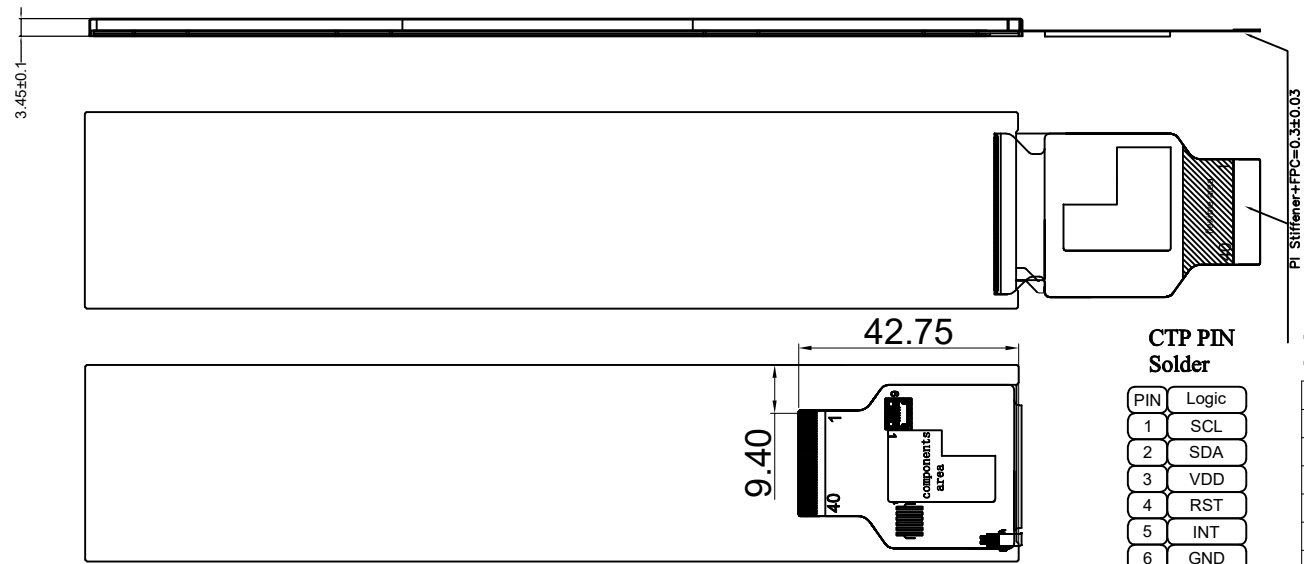
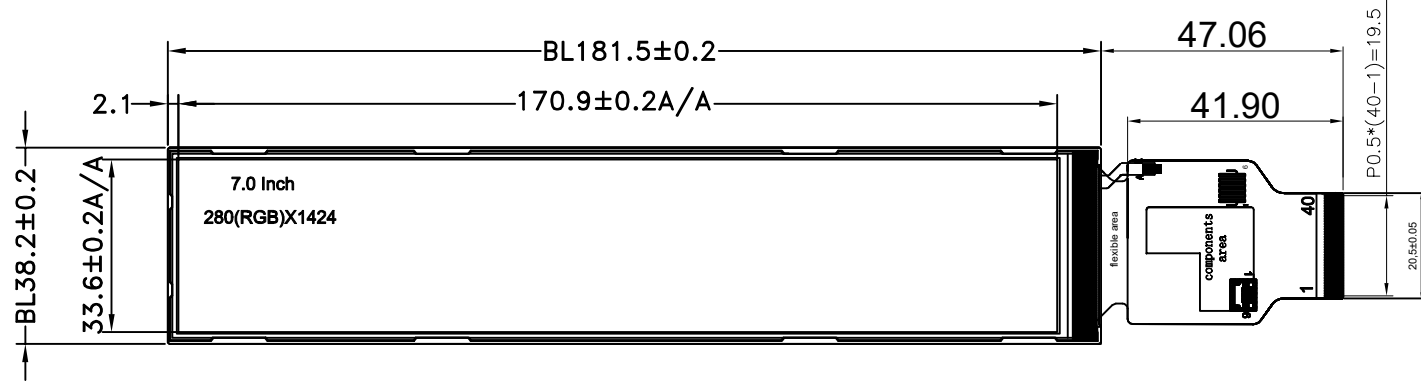


REV	DESCRIPTION	DATE
1.0	First	2022.04.25
2.0		



CTP PIN Solder

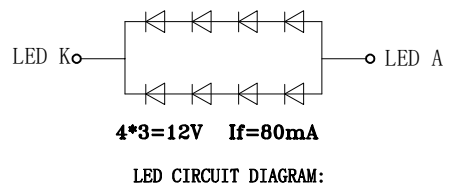
PIN	Logic
1	SCL
2	SDA
3	VDD
4	RST
5	INT
6	GND

CTP PIN Connector

PIN	SYMBOL
1	TP-SCL
2	TP-SDA
3	TP-VDD
4	TP-RST
5	TP-INT
6	TP-GND

PIN	NAME	PIN	NAME
1	LEDK	21	B0
2	LEDA	22	B1
3	GND	23	B2
4	VDD	24	B3
5	R0	25	B4
6	R1	26	B5
7	R2	27	B6
8	R3	28	B7
9	R4	29	GND
10	R5	30	PCLK
11	R6	31	RESET
12	R7	32	HS
13	G0	33	VS
14	G1	34	DE
15	G2	35	TP-VDD
16	G3	36	TP-GND
17	G4	37	TP-RST
18	G5	38	TP-SDA
19	G6	39	TP-SCL
20	G7	40	TP-INT

1. DISPLAY TYPE: 7.0" TFT-LCD
2. Viewing Angle : ALL'clock
3. LCD Driver : NV3025
4. OPERATING TEMP: -20° C~70° C
5. STORAGE TEMP: -30° C~80° C
6. BACK LIGHT Uniformity: 80%(Typ)
7. Module Brightness: Module: 350cd/m(Typ)
8. GENERAL TOLERANCE: ±0.5



View: (视角)	
Page: (页数)	1 OF 1
UNIT: (单位)	mm
DESIGN: (设计)	Jobin
CHECKED: (检查)	
APPROVED: (核准)	

深圳伟利登电子有限公司 Shenzhen Radiant Electronics Limited	
MODEL No. (产品型号):	RT070IWXR151
CUSTOMER'S CODE (客户型号):	