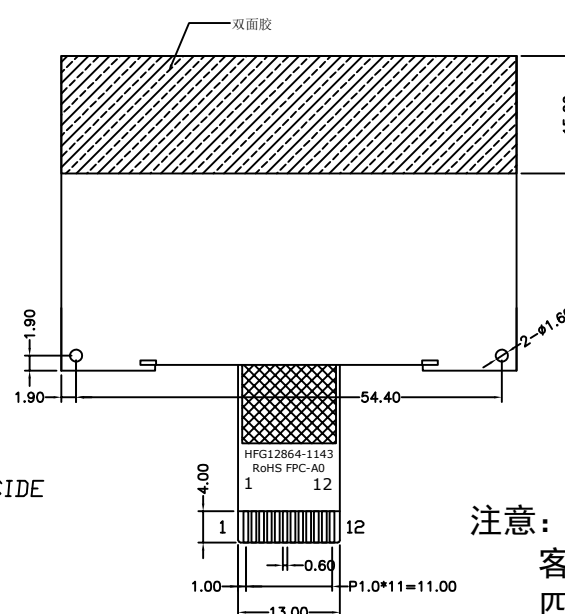
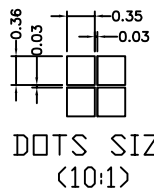
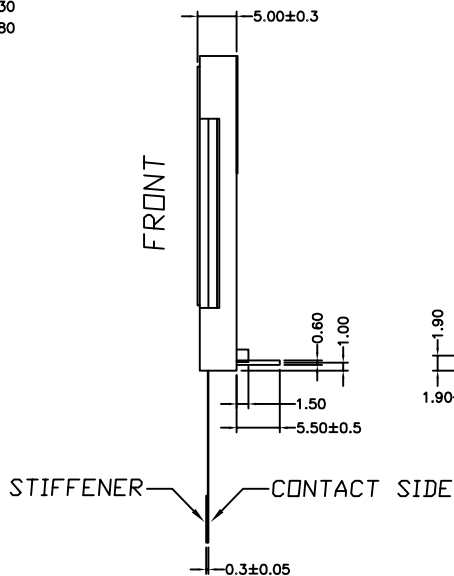
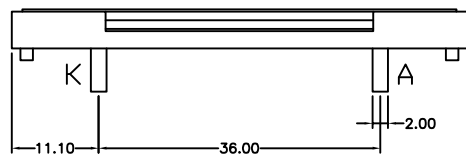
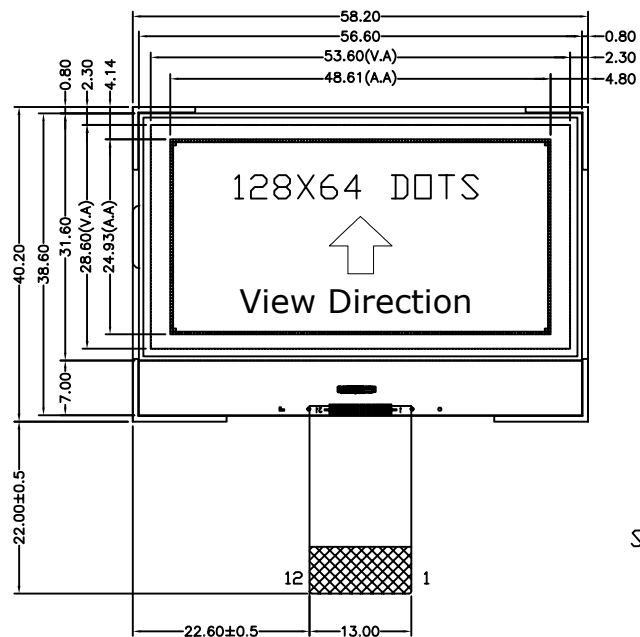


Signature: _____

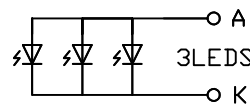
Date: _____

REV.	DESCRIPTION	REVISOR	DATE
A0	New Release	Liu	2020-8-19
A1	参考客机将LCD电压由8.5V调到8.9V	Liu	2021-10-2
A2	客户要求背光开两套模具	Liu	2021-12-2



PIN	SYMBOL
1	CSB
2	RSTB
3	A0
4	NC
5	NC
6	SCL
7	SDA
8	VDD
9	VSS
10	V0
11	XV0
12	VG

注意：
客户要求背光开两套模，
四周不得漏光！



BackLight Circuit

Specifications:

1. Display Mode: FSTN/Positive/Transflective.
2. Viewing Angle: 6 O'clock.
3. Drive Method: 1/65Duty, 1/9Bias, VLCD=8.9±0.2V, VDD=3.0V.
4. Backlight Type: White, 3.0V, 45mA, 3pcs.
5. Operating Temp: -20°C~+70°C.
6. Storage Temp: -30°C~+80°C.
7. Connector: COG+FPC
8. Drive IC: ST7567(COG)
9. Customer P/N: --
10. Unmarked Tolerance: ±0.2mm
11. Requirements On Environmental Protection: RoHS

Shenzhen Radiant Electronics Limited

DESIGN BY:	NAME:	DATE:	MODEL NUMBER :	PROJECTION	SHEET:	1 OF 1
CHECKED BY:	Liu	2021-12-27	RC12864-1143		NAME:	LCM
APPROVED BY:			DEFAULT UNITS: mm			