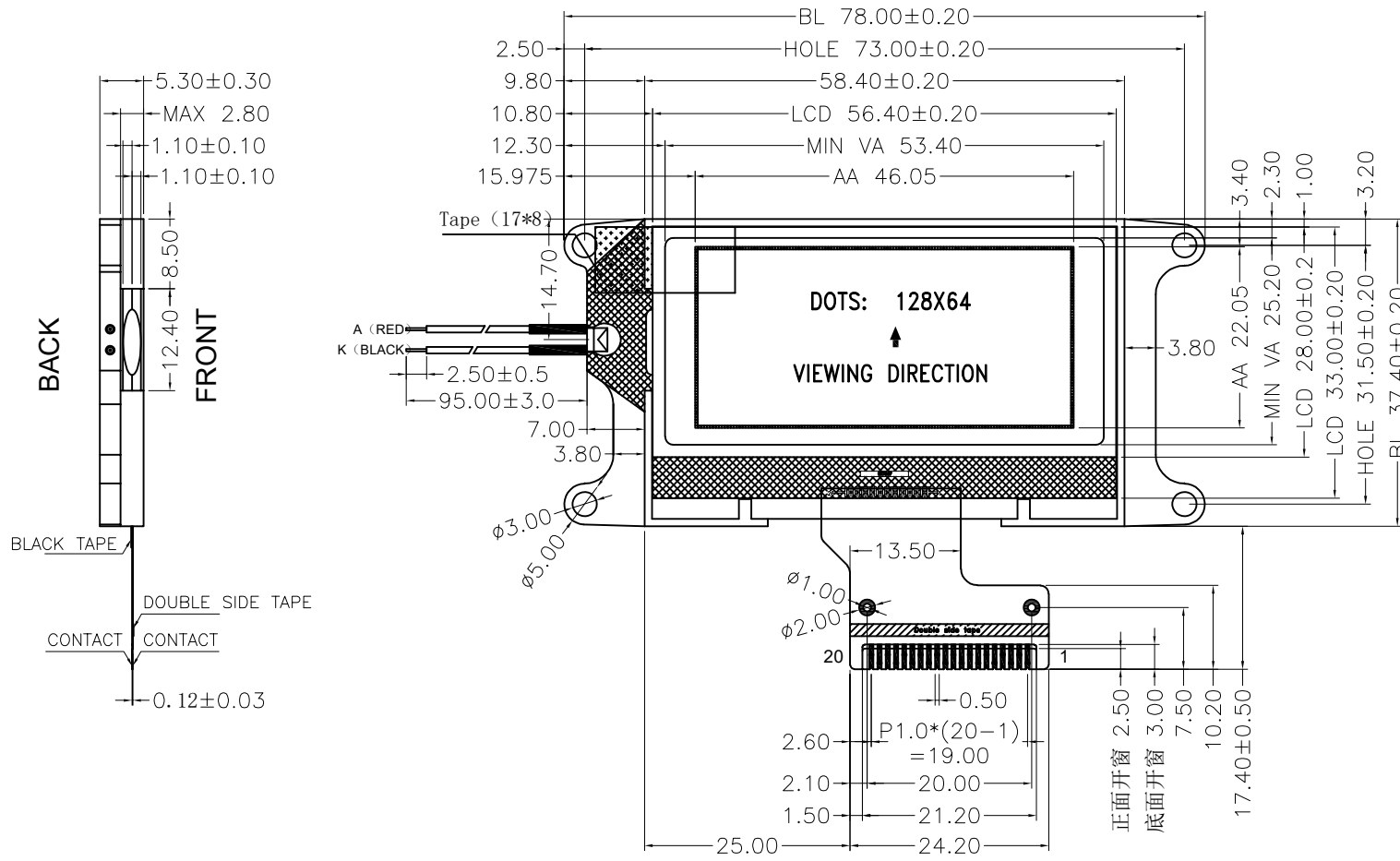


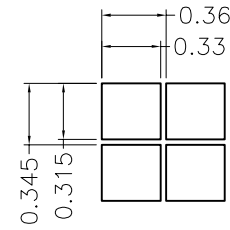
Signature: _____

Date: _____

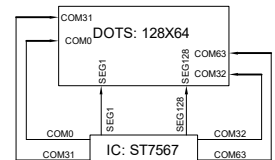
| REV. | DESCRIPTION | REVISER | DATE |
|------|-------------|---------|-----------|
| A0 | First issue | Li | 2014.07.3 |



| PIN | SYMBOL | PIN | SYMBOL |
|-----|--------|-----|--------|
| 1 | /CS1 | 11 | XV0 |
| 2 | /RES | 12 | NC |
| 3 | A0 | 13 | NC |
| 4 | SCLK | 14 | VG |
| 5 | SDA | 15 | NC |
| 6 | VDD | 16 | NC |
| 7 | VSS | 17 | NC |
| 8 | NC | 18 | NC |
| 9 | NC | 19 | NC |
| 10 | V0 | 20 | NC |



DOTS SIDE SCALE 20:1



LCD LAYOUT

Specifications:

1. Display Mode: STN(Yellow_Green),Transmissive/Positive.
2. Viewing Angle: 6 0'clock.
3. Drive Method: 1/64 Duty 1/9 Bias, Vop=9.6V, Vdd=3.0V.
4. Top: -10°C~+60°C, Tst: -20°C~+70°C.
5. Connector: COG+FPC.
6. Drive IC: ST7567.
7. Backlight: 1PCS Green LED, IF=20mA & VF=3.0±0.1V.
8. Customer P/N: YXD-12864K03E-5
9. With " * " Mark Dimensions Are Important Dimensions.

Shenzhen Radiant Electronics Limited

| | | | | | |
|------------------------------|-----------|------------------|----------------------------|--|------------------|
| Unspecified Tolerance: ±0.20 | UNITS: mm | DATE: 2015.05.12 | MODEL NUMBER : RC12864-135 | | SHEET: 1 OF 1 |
| DESIGN BY: _____ | Li | 2015.05.12 | DO NOT SCALE THIS DRAWING. | | DATE: 2015.05.12 |
| CHECKED BY: _____ | | | | | |
| APPROVED BY: _____ | | | | | |